

JOTTO DESK®

WWW.JOTTODESK.COM

'97+ CROWN VICTORIA Retrofit Computer Mount - No Holes 425-5014

1 - Cable Dock® Desktop

Rotates 360° with ergonomic platform tilt. Two (2) nylon coated stainless steel cables secure notebook computer to desk. "One Hand" operation for removing and securing computer. Six (6) foam pads lift the computer off of the desktop providing shock absorption and air flow under computer.

2 - Articulated Swing Arm

Rotates 360° around stand and extends 13 3/8".

3 - Telescoping Rod

Extends desktop height. Travels inside of stand.

4 - Ratchet Handles

Secures swing arm position at elbow and stand.

5 - Stand

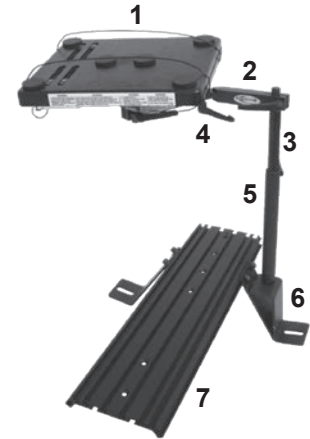
Stand attaches to base and houses telescoping rod.

6 - One Piece Mounting Base

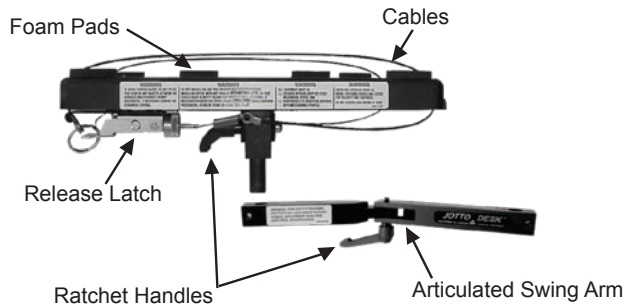
3/16" gauge steel, one piece base designed to retrofit to floor plate.

7 - Floor Plate

Extruded aluminum allows for top down installation of console and accessories.



CABLE-DOCK® DESKTOP



DETAILED INFORMATION

Cable Dock® Desktop:

10" x 12" x 1" ABS plastic desktop with 1/4" thick wall; 22" Cables, 6" square 11 gauge steel mounting plate; 5/8" Aluminum post connector

Articulated Swing Arm:

1" square x 13-3/8" solid aluminum; black anodized

Telescoping Rod:

7/8" x 8" steel with 5/8" turned swing arm rest

Stand:

1" x 10" 11 gauge steel, black; round stock

Height Variation:

17" to 21"

Base:

3/16" gauge master, one-piece base with tapped 7/8" mounting post

Floor Plate:

24" extruded aluminum floor plate w/ legs

HOW TO ORDER

No Holes Mount Complete

(Package includes: Desktop, Articulated Swing Arm, Telescoping Rod, Stand, Base & 24" Floor Plate)

Model No. 425-5014

'97+ Crown Victoria

Base Only

Model No. 425-2539

'97+ Crown Victoria

Jotto Desk® is a patented product and registered trademark of Assembled Products™ Corp.
Model pricing and specifications subject to change without prior oral or published notice.
425-5014SS 032408

jottodesk.com
toll free 1.877.455.6886