



Qualcomm® OmniTRACS®/OmniVision™
Display Mount - No Holes
 Air Ride Equipped Seat
425-5151

1 - Qualcomm® OmniTRACS®/ OmniVision™ Display Mount Plate
 Rotates 360° with ergonomic platform tilt.

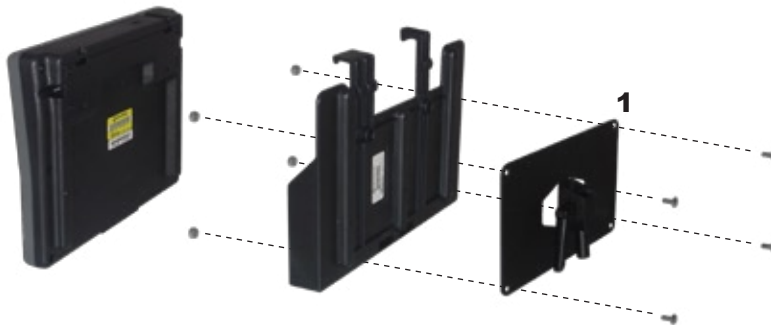
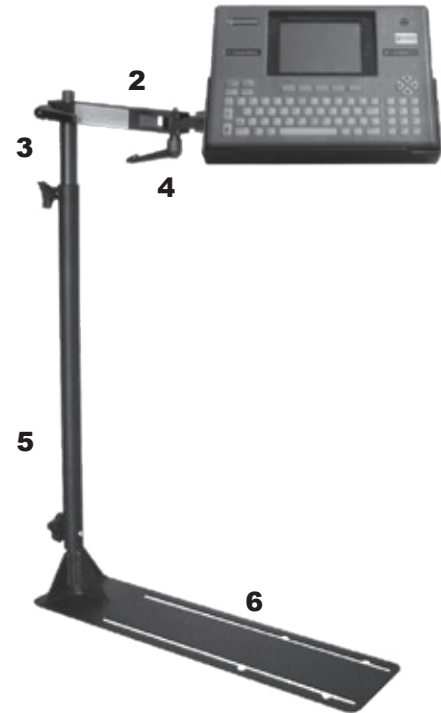
2 - Swing Arm
 Rotates 360° around stand and extends 13 3/8".
 Ratchet Handles secure swing arm in position at elbow and stand.

3 - Telescoping Rod
 Extends desktop height. Travels inside of stand.

4 - Ratchet Handles
 Secures swing arm positioning and allows for 360° swing arm rotation.

5 - Stand
 Stand attaches to base and houses Telescoping Rod.

6 - One Piece Mounting Base
 3/16" gauge steel, one-piece base design increases overall sturdiness and frees up leg room.



DETAILED INFORMATION

OmniTRACS®/OmniVision™ Mount Plate:	10.25" x 6" square 11 gauge steel plate; 5/8" Aluminum post connector
Swing Arm:	1" square x 13 3/8" solid aluminum; black anodized
Telescoping Rod:	7/8" x 12" steel with 5/8" turned swing arm rest
Stand:	1" x 20" 11 gauge steel, black; round stock
Height Variation:	27" to 33"
Base Mount:	1/4" gauge master, one-piece base with tapped 7/8" mounting post
Weight:	18 lbs

HOW TO ORDER

No Holes Mount Complete

(Package includes: OmniTRACS®/OmniVision™ Mount Plate, Articulated Swing Arm, Telescoping Rod, Stand & Base)

Model No. 425-5151

Qualcomm® OmniTRACS®/OmniVision™ Display Mount

Mount Plate Only
Model No. 425-5570

Qualcomm® OmniTRACS®/OmniVision™ Display Mount Plate

Base Only
Model No. 425-3191

OTR Truck - Universal Base

jottodesk.com
toll free 1.877.455.6886

Jotto Desk® is a patented product and registered trademark of Assembled Products™ Corp.
 Model pricing and specifications subject to change without prior oral or published notice.
 425-5151SS 042808