

JOTTO DESK®

ACCESSORIES



Universal Phone Holder
Model 4015

Use with stationary or pivoting sidesaddles to connect to 5167 desktop.



Palm Holder
Model 1308

Use with stationary or pivoting sidesaddles to connect to 5167 desktop.



Littlelite
Model 1301

Red filtered light plugs into vehicle power source. Rheostat adjusts brightness.



14" Telescoping Rod
Model 1270

Increases height of desktop from 15"-20" to 19"-24"



Pivoting Sidesaddle
Model 5225

Used to secure phone or palm holder to right side of desktop. Will mount up to three sidesaddles.



Stationary Sidesaddle
Model 5224

Used to secure phone or palm holder to right side of desktop. Will mount up to three sidesaddles.



RV Brace Kit
Model 5238

Attaches to stand and telescopes down and out to desired mounting location. Provides additional support.



Cable-Dock Upgrade Kit
Model 5237

Firmly secures computer to the desktop with a series of cables and latches.



Screen Holder
Model 1302

Fixes to the back of the desktop. Used to secure laptop screen. Adjusts in height and tilt.

JOTTO DESK®

The Mobile Office Desk®

Model 425-5322ACD

1999 F250-550 PickUp & 2001-03 F150 Super Crew w/ bucket seats
No Holes Mount



WARNING: Do not install or use this product in any manner which would interfere with any of the vehicles controls, air bags or safety devices. Do not install or use this product in any manner which causes a safety hazard for vehicle and/or occupants. To avoid serious injury do not place this desk or any objects between the air bags and yourself or any passengers. If necessary remove the desk before driving. Store in trunk or other safe place. We recommend that you do not work on the Jotto Desk while driving! Park safely, then use. Remember, driving safely comes first.

WARNING: Make sure of and check on a regular basis that all knobs, fastening devices and handles are tight and secure. Repair or replace any faulty or worn parts. All equipment, such as computers, printers, phones, etc. must be safely secured when vehicle is in motion.

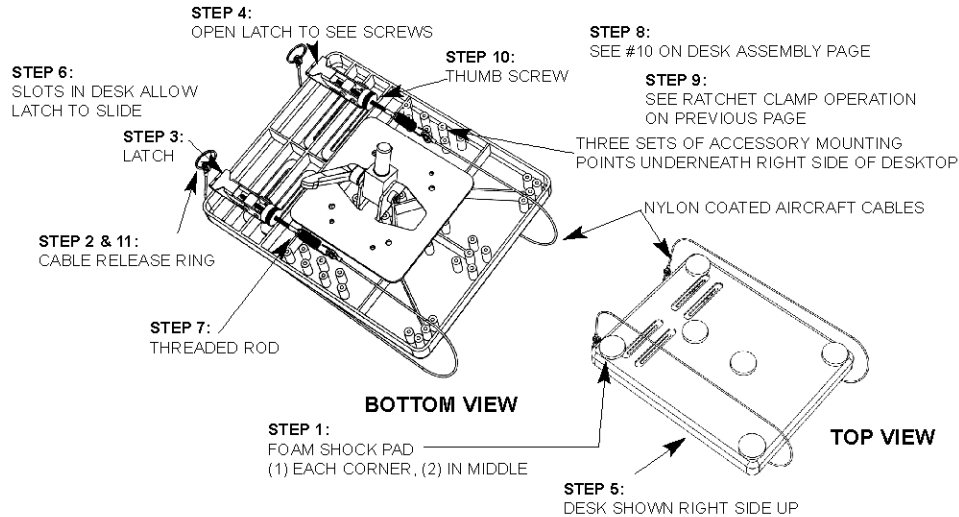
DISCLAIMER: The manufacturer of this product may not be held liable for any accidents, injuries or problems caused by the use or installation of this product.

Specifications subject to change without notice.

CONTACT INFORMATION

Toll Free 877-455-6886 Local 479-936-8614 Fax 479-936-8620 www.jottodesk.com

SETTING UP THE “ACD” CABLE-DOCK DESKTOP



10" X 12" ABS Plastic “ACD” Cable-Dock Desktop Shown

- STEP 1** Place the six foam shock pads on desktop surface in a similar pattern as shown.
- STEP 2** Free cables from latches and flip desktop over, keep latches on right side.
- STEP 3** Open bottom latch to access the two adjusting screws for properly locating the latch location in desk slots (you may need to screw the long threaded rod out of the way).
- STEP 4** Use a standard blade screwdriver to loosen (but not remove) the two screws.
- STEP 5** Turn desk right side up with the latches on the left side. Place computer on top and line up top cable to rest above the “F” (function) keys, then secure by throwing latch.
- STEP 6** Slide bottom latch and cable to desired position, usually just below last row of keys and secure. If needed, fine tune bottom latch position. Now tighten the two latch screws.
- STEP 7** Adjust the tightening tension of the cables by rolling the cable between the thumb and fingers. This will turn the threaded rod in the latch and thereby adjust the cable length to achieve the desired tension.

CAUTION: DO NOT SHORTEN THE CABLES TO A POINT WHERE THE SPRING UNDER THE DESKTOP IS STRETCHED MORE THAN 3X THE ORIGINAL LENGTH WHEN LATCH ASSEMBLY IS CLOSED.

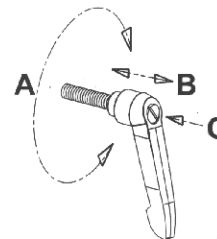
- STEP 8** Place the desktop on the arm, setting the pivot post found underneath the desktop into hole at end of arm.
- STEP 9** To set the desktop angle, adjust, ratchet handle to securely tighten desktop in desired angle. Adjust, ratchet handle at end of articulated swing arm so that the desktop should be able to rotate with firm hand pressure.
- STEP 10** To prevent release of latch, use thumb screw to tighten against the latch. To release the latch back thumb screw one full turn and throw latch.
- STEP 11** To release and secure cables, pull down on metal ring at end of cable and feed cable into the forked prongs attached too each latch. Pull down and away to remove.

CAUTION SHORTENING THE CABLE LENGTH IN AN ATTEMPT TO MORE SECURELY HOLD THE LAPTOP IN PLACE COULD RESULT IN DAMAGE TO YOUR COMPUTER. THE SPRINGS UNDERNEATH THE DESKTOP SHOULD NEVER BE STRETCHED MORE THAN 3 TIMES THE ORIGINAL LENGTH.

INSTALLATION PROCEDURE FOR 425-5322ACD

READ INSTRUCTIONS BEFORE BEGINNING INSTALLATION

- 1 - Remove the two front seat bolts from the passenger side seat rails. Place the left NHM base (with post) and the right NHM base on top of the seat rails. Replace the factory seat bolts, but do not fully tighten.
- 2 - Loosen knob on RV brace collar (4) and slide collar up the vertical tube starting from the bottom. Position about an inch from the three point knob located on the vertical tube and tighten collar.
- 3 - Slide vertical tube assembly onto post of the left NHM base. Use the ratchet handle to secure vertical tube to mount post.
- 4 - Line up both left and right NHM bases so vertical tube and RV brace are square with the seat. Fully tighten seat bolts to manufacture settings.
- 5 - Remove three point knob from right NHM base and line up holes of both the base and the RV brace. Insert knob and tighten.
- 6 - Place articulated swing arm over the 5/8" end of the telescoping rod. Tighten with ratchet handle. Place black vinyl cap over protruding rod end.
- 7 - Attach Desktop to end of articulated swing arm and secure by tightening ratchet handle.



RATCHET CLAMP OPERATION

NOTE: Ratchet handles are spring loaded and can be readjusted to tighten.

To adjust, pull handle out (B) and rotate counter clockwise (A), release and tighten. If needed, use standard screwdriver in slot for adjustment (C)

NOTE: Insert the ratchet handle through the unthreaded side of the articulated swing arm and tighten.