

# JOTTO DESK ACCESSORIES

Specifications subject to change without notice



**UNIVERSAL PHONE HOLDER**

Model 5159

Gripmatic® Universal Cell Phone Holder grips all shapes of phones and has a quick release. Must be used with Sidesaddle



**PDA HOLDER**

Model 1308

Conveniently mounts your Palm Pilot™ or other PDA system to the Desktop. Must be used with Sidesaddle.



**USB LIGHT**

Model 2490

12" flexible wand with red filtered light and rheostat to adjust brightness. Three foot power cord plugs into cigarette lighter.



**TELESCOPING RODS**

8" Rod Model 1487  
10" Rod Model 1136  
12" Rod Model 1270



**PIVOTING SIDESADDLE**

Model 5225

Used to secure phone or palm holder to right side of desktop. The Pivoting Sidesaddle pivots independent of desktop angle.



**STATIONARY SIDESADDLE**

Model 5224

Used to secure phone or palm holder to right side of desktop.



**BRACE KIT**

Model 5238

The Brace Kit attaches to the stand providing additional support. It can be adjusted in length and mounts on flat, vertical or angled surfaces.



**CABLE-DOCK® UPGRADE KIT**

Model 5237

Firmly secures computer to the desktop with a series of cables and latches.



**SCREEN SUPPORT**

Model 5999

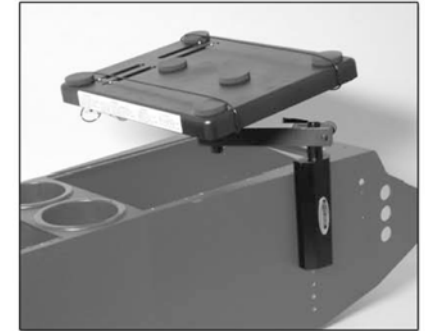
The Screen Support is designed to keep your screen in place while you use your computer. It attaches directly to the desk and adjusts in height and tilt.

## JOTTO DESK®

WWW.JOTTODESK.COM

**'06+ DODGE CHARGER**  
Computer Mount - No Holes

Model No. 425-5542



**PLEASE CHECK ALL BOX FLAPS AND INSERTS FOR PARTS STORED UNDERNEATH BEFORE DISCARDING BOX. THANK YOU.**

**WARNING:** Do not install or use this product in any manner which would interfere with any of the vehicles controls, air bags or safety devices. Do not install or use this product in any manner which causes a safety hazard for vehicle and/or occupants. To avoid serious injury do not place this desk or any objects between the air bags and yourself or any passengers. If necessary remove the desk before driving. Store in trunk or other safe place.

**We recommend that you do not work on the Jotto Desk while driving! Park safely, then use. Remember, driving safely comes first.**

**WARNING:** Make sure of and check on a regular basis that all knobs, fastening devices and handles are tight and secure. Repair or replace any faulty or worn parts. All equipment, such as computers, printers, phones, etc. must be safely secured when vehicle is in motion.

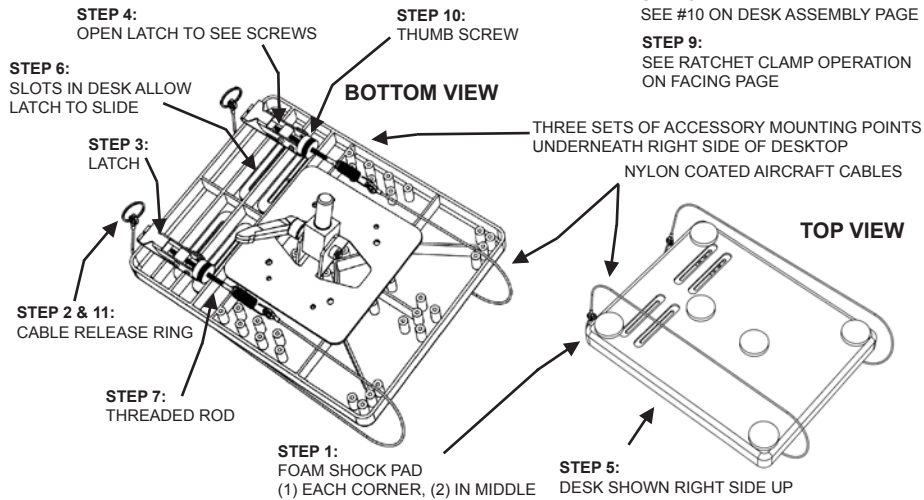
**DISCLAIMER:** The manufacturer of this product may not be held liable for any accidents, injuries or problems caused by the use or installation of this product.

Specifications subject to change without notice.

Jotto Desk® is a patented product and registered trademark of Assembled Products® Corporation  
Form5542 022608

 [jottodesk.com](http://jottodesk.com)  
toll free 1.877.455.6886

# SETTING UP THE "ACD" CABLE-DOCK DESKTOP



**STEP 1** Place the six foam shock pads on desktop surface in a similar pattern as shown.

**STEP 2** Free cables from latches and flip desktop over, keep latches on right side.

**STEP 3** Open bottom latch to access the two adjusting screws for properly locating the latch location in desk slots (you may need to screw the long threaded rod out of the way).

**STEP 4** Use a standard blade screwdriver to loosen (but not remove) the two screws.

**STEP 5** Turn desk right side up with the latches on the left side. Place computer on top and line up top cable to rest above the "F" (function) keys, then secure by throwing latch.

**STEP 6** Slide bottom latch and cable to desired position, usually just below last row of keys and secure. If needed, fine tune bottom latch position. Now tighten the two latch screws.

**STEP 7** Adjust the tightening tension of the cables by rolling the cable between the thumb and fingers. This will turn the threaded rod in the latch and thereby adjust the cable length to achieve the desired tension.

**CAUTION: DO NOT SHORTEN THE CABLES TO A POINT WHERE THE SPRING UNDER THE DESKTOP IS STRETCHED MORE THAN 3X THE ORIGINAL LENGTH WHEN LATCH ASSEMBLY IS CLOSED.**

**STEP 8** Place the desktop on the arm, setting the pivot post found underneath the desktop into hole at end of arm.

**STEP 9** To set the desktop angle, adjust, ratchet handle to securely tighten desktop in desired angle. Adjust, ratchet handle at end of articulated swing arm so that the desktop should be able to rotate with firm hand pressure.

**STEP 10** To prevent release of latch, use thumb screw to tighten against the latch. To release the latch back thumb screw one full turn and throw latch.

**STEP 11** To release and secure cables, pull down on metal ring at end of cable and feed cable into the forked prongs attached too each latch. Pull down and away to remove.

**CAUTION SHORTENING THE CABLE LENGTH IN AN ATTEMPT TO MORE SECURELY HOLD THE LAPTOP IN PLACE COULD RESULT IN DAMAGE TO YOUR COMPUTER. THE SPRINGS UNDERNEATH THE DESKTOP SHOULD NEVER BE STRETCHED MORE THAN 3 TIMES THE ORIGINAL LENGTH.**

# INSTALLATION PROCEDURE

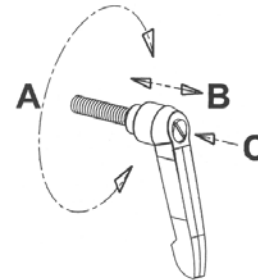
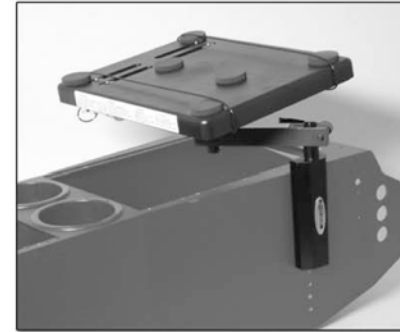
**READ INSTRUCTIONS BEFORE BEGINNING INSTALLATION**

1 - Position the mounting base to the right height (allow clearance for radio equipment) on the side of the console. With a pencil, mark on the inside of the console the corresponding holes that match up with the holes in the base.

2 - Insert the provided 1/4-20 bolts with lock washer and black washer from the inside of the console through the marked holes and screw into the base. Tighten securely with ratchet.

3 - Place straight arm over the 5/8" end of the telescoping rod. Tighten with ratchet handle.

4 - Attach desktop to end of straight arm and secure by tightening ratchet handle.



## RATCHET CLAMP OPERATION

**NOTE:** Ratchet handles are spring loaded and can be readjusted to tighten.

To adjust, pull handle out (B) and rotate counter clockwise (A), release and tighten. If needed, use standard screwdriver in slot for adjustment (C)

**NOTE:** Insert the ratchet handle through the unthreaded side of the articulated swing arm and tighten.

